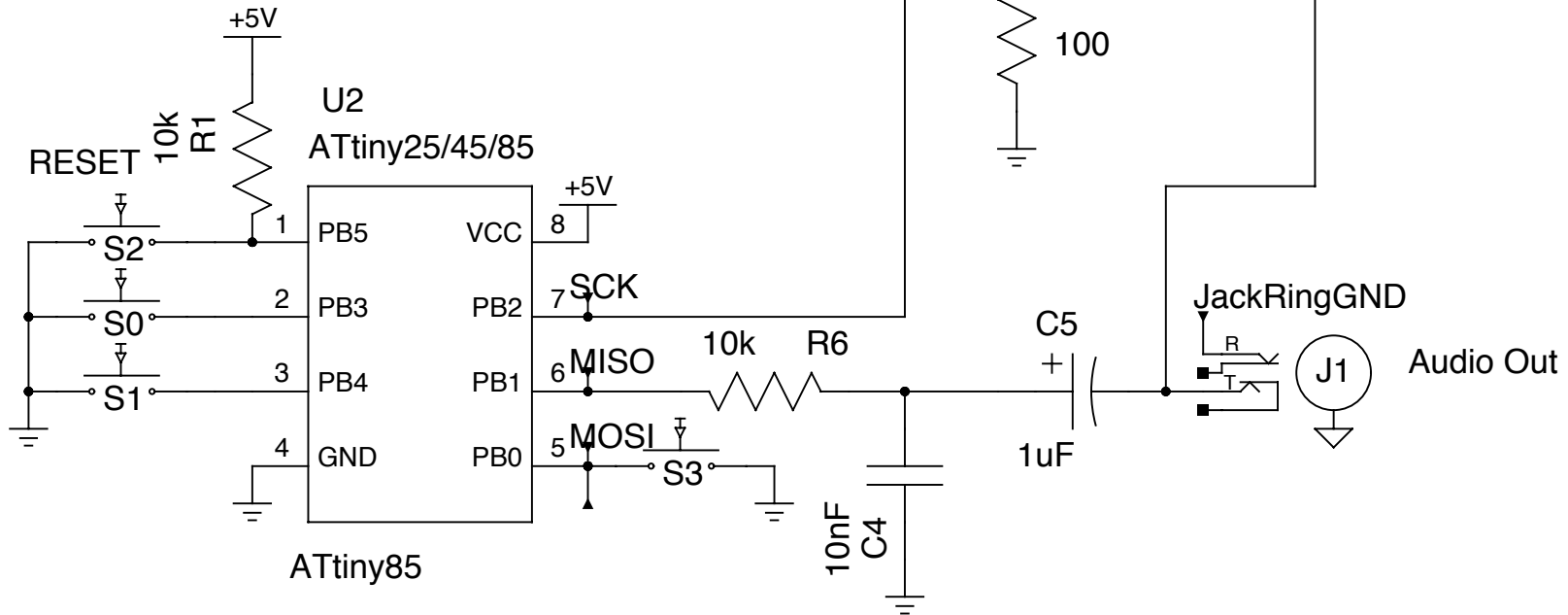
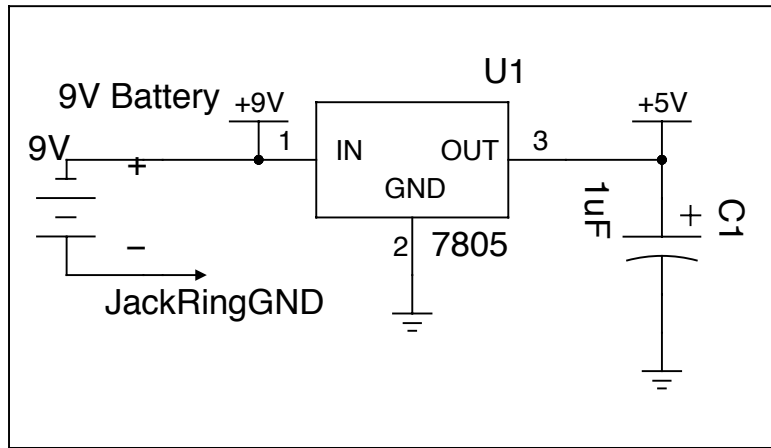


# Power Supply



TITLE		simsam	
FILE:		simsam.sch	
DATE	2010-04-02	REVISION:	2.0
PAGE	OF	DRAWN BY:	Dann Green, 4ms